
Tabano

ARMCHAIRS

Patricia Urquiola



Description

Comfortable design, generous volumes and ample 'ears' characterize the swivel chair with a four-spoke base available in polyurethane or wood. A soft inside and more structured outside are joined together by a zip that runs along the entire outline and creates a game of contrasting textures. One-color, two-tone fabric or leather, and the combination of leather and fabric can be chosen either for the outer shell or the inner seat. Tabano easily adapts to the most formal or relaxed settings. The voluminous egg shaped footrest accompanies the chair with matching upholstery.

Technical informations

Armchair internal frame:
tubular steel and steel profiles

Armchair internal frame upholstery:
Bayfit® (Bayer®) flexible cold shaped polyurethane foam, polyester fibre cover

Footrest internal frame upholstery:
reinforced polystyrene with hard polyurethane and painted steel sheet

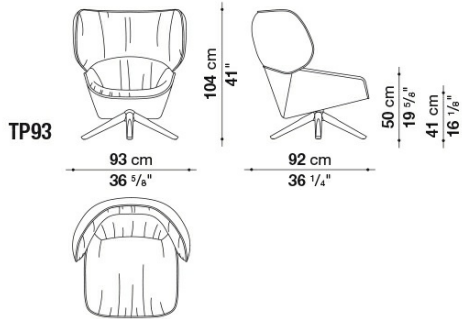
Swivel base-frame:
painted steel profiles, black painted hard polyurethane, grey oak or brushed light oak solid wood

Armchair ferrules:
plastic material

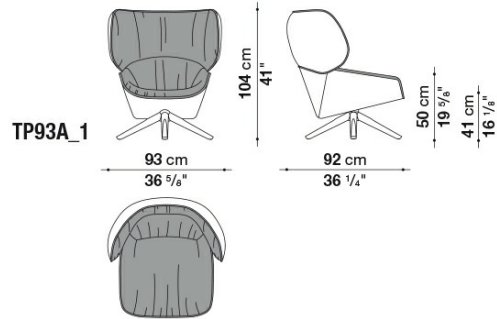
Footrest ferrules:
thermoplastic material

Cover:
fabric or Alfa leather

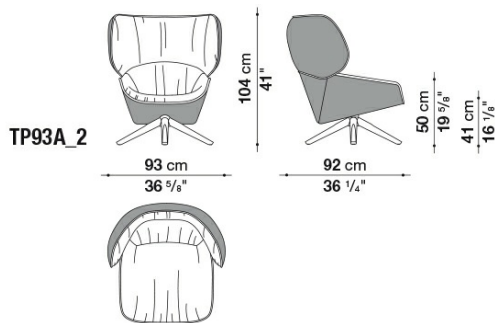
Technical drawings



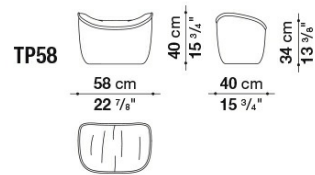
TP93



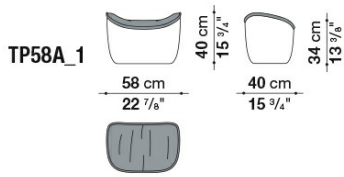
TP93A_1



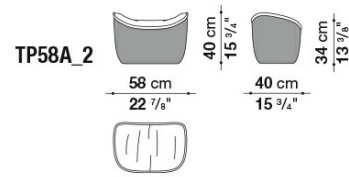
TP93A_2



TP58



TP58A_1



TP58A_2

B&B Italia reserves the right to make technological and aesthetic improvements to its models, including changes to the sizes and materials, without notice. The technical drawings do not define the details of the product. The measurements shown are indicative and may undergo changes. In particular, the dimensions relevant to the padded parts are subject to usage tolerances over time caused by the normal adjustment of the padding. For the specific information, please contact the dealer closest to you.