

Remix[®] High Back Chair

knoll.com/seating

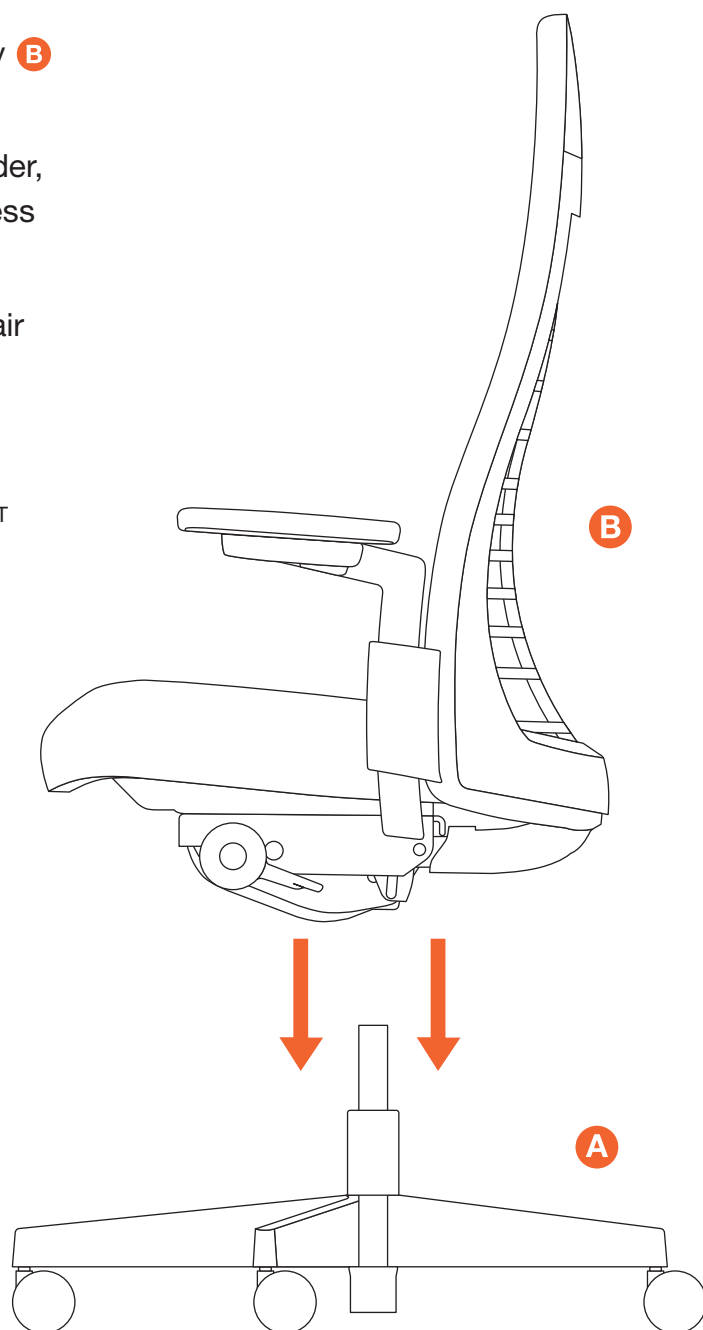
ASSEMBLY INSTRUCTIONS

No tools required.

1. Open carton and remove chair base **A** and protective divider piece.
2. Place chair base upright on floor, stabilizing it so it does not move or slide.
3. Remove top of carton. Lift upper chair assembly **B** from carton in a safe fashion.
4. Carefully place upper chair assembly onto cylinder, fitting cylinder into hole in bottom of control. Press down firmly to ensure secure fit.
5. Without adjusting seat depth or height, sit in chair to complete assembly.

WARNING:

FAILURE TO FOLLOW THESE ASSEMBLY INSTRUCTIONS CAN RESULT IN PRODUCT FAILURE, PERSONAL INJURY OR PROPERTY DAMAGE.



Knoll