



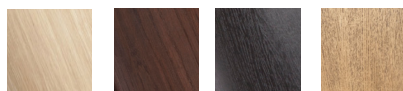
NY11 BAR CHAIR

by Rune Krøjgaard & Knut Bendik Humlevik



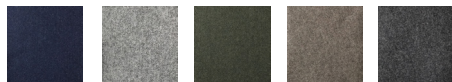
The NY11 series is inspired by traditional Danish school chairs, designed throughout the twentieth century. The NY11 Bar Chair comes in two heights, 65 cm and 75 cm, making it perfect for kitchen islands in private homes or as a stylish bar chair for public spaces.

FRAME



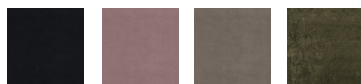
Oak Dark Stained Oak Black Oak Smoked

WOOL



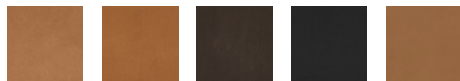
Navy Blue Light Grey Forest Green Fawn Coal Grey

VELVET



Midnight Blue Rosewood Taupe Olive

SØRENSEN VINTAGE LEATHER



Camel Cognac Dark Brown Anthracite Rust

SØRENSEN NOIR LEATHER



Black Cognac Mineral

SØRENSEN PREMIUM LEATHER



Black

KVADRAT OPTIONS

GROUP 1	GROUP 2	GROUP 3	GROUP 4
Remix Rewool Melange Nap	Hallingdal Foss Twill Weave Steelcut Trio Canvas Harald	Vidar Divina Melange Divina MD	Byram

CUSTOMER OWN LEATHERS AND FABRICS AVAILABLE ON REQUEST

DIMENSIONS

TALL

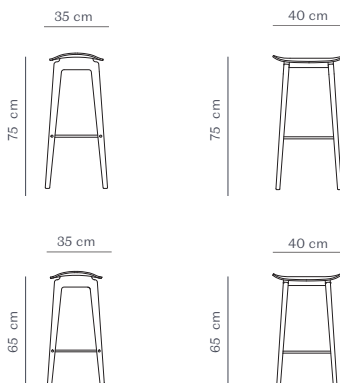
Width: 40 cm
Depth: 35 cm
Seat Height: 75 cm

LOW

Width: 40 cm
Depth: 35 cm
Seat Height: 65 cm

GLIDES

Plastic Glides: 13mm
Felt Glides: 13mm



MATERIALS

The NY11 Bar Chair has a frame of hand-crafted solid oak and a seat of laminated oak veneer. The seat is available with and without leather upholstery for increased comfort.

CARE INSTRUCTIONS

Follow instructions on partner.norr11.com.

CERTIFICATION

Model NY11 Bar Stool fulfills the requirements in EN 1022:2005 and EN 16139:2013. Loading according to Test severity L1. Danish Technological Institution.

COUNTRY OF ORIGIN

EU

NORR11

SEATING | NORR11.COM