

Butterfly.



SitLand®

ORIGINAL NATURE

Butterfly is functionality and design. A product that combines light shapes and technology to offer a comfortable chair able to reduce fatigue caused by long sitting times.



REFINED

Butterfly offers an original and contemporary design while ensuring all technical requirements of a classic office. Butterfly is available in two versions: a first version with a informal geometrical pattern in relief obtained through handcrafted stitching on the back cushion and a second version with orizontal stitching.

ASSISTED MOVEMENTS

Butterfly seat moves in tune with its user thanks to the possibility to adjust the depth and lock it in the required position through a practical side button.

SELF-ADJUSTING

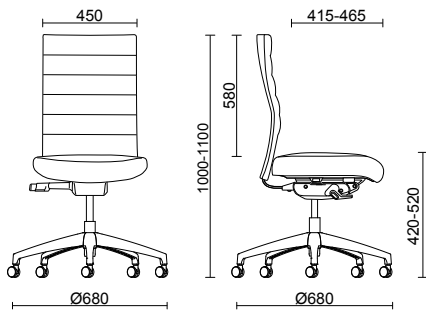
Butterfly can be feature two mechanisms:

- self adjustable synchro mechanism lockable in 4 positions with anti-panic system;
- or
- a synchro mechanism with micrometric adjustment lockable in 5 positions with anti-panic system and quick tilting tension adjustment according to the user's weight.

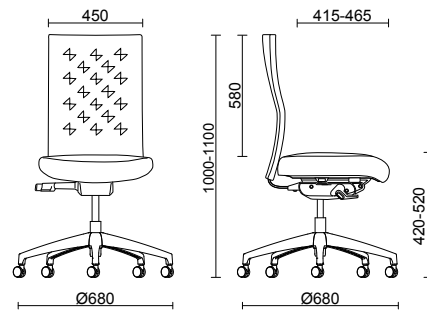
COMFORTABLE AND HEALTHY

To ensure proper posture and reduce muscular fatigue, Butterfly features a lumbar support with adjustable height that ensures proper support at the base of the spine. For improved comfort, Butterfly seat pad is in flexible polyurethane with "Comfort-Air" technology.

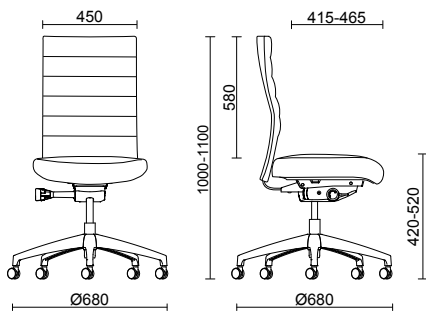
DIMENSIONS



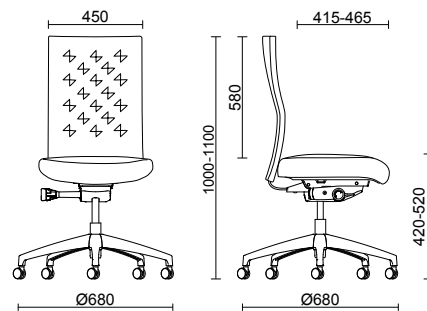
OPERATIVE, 5 STAR BLACK NYLON BASE, Ø 680 MM, BLACK SELF BRAKING CASTERS Ø 50 MM, SELF ADJUSTABLE SYNCHRO MECHANISM, WITHOUT ARMS, BACKREST WITH HORIZONTAL STITCHING



OPERATIVE, 5 STAR BLACK NYLON BASE, Ø 680 MM, BLACK SELF BRAKING CASTERS Ø 50 MM, SELF ADJUSTABLE SYNCHRO MECHANISM, BACKREST WITH DECORATIVE GEOMETRIC PATTERN



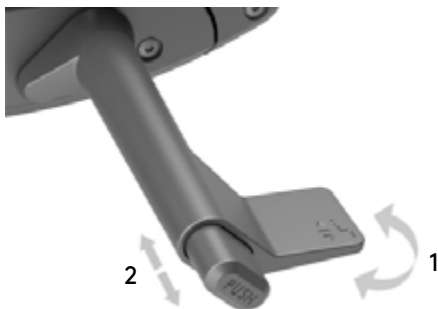
OPERATIVE, 5 STAR BLACK NYLON BASE, Ø 680 MM, BLACK SELF BRAKING CASTERS Ø 50 MM, SYNCHRO MECHANISM WITH MICROMETRIC ADJUSTMENT, WITHOUT ARMS, BACKREST WITH HORIZONTAL STITCHING



OPERATIVE, 5 STAR BLACK NYLON BASE, Ø 680 MM, BLACK SELF BRAKING CASTERS Ø 50 MM, SYNCHRO MECHANISM WITH MICROMETRIC ADJUSTMENT, WITHOUT ARMS, BACKREST WITH DECORATIVE GEOMETRIC PATTERN

SELF ADJUSTABLE SYNCHRO MECHANISM

Lockable in 4 positions with anti-panic system



Functions:

- 1- Turn the lever for chair height adjustment
- 2- Push the button to lock/unlock backrest swing

SYNCHRO MECHANISM WITH MICROMETRIC ADJUSTMENT

Lockable in 5 positions with anti-panic system and quick tilting tension adjustment according to the user's weight

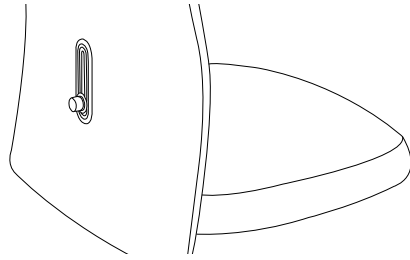


Functions:

- 1- Chair height adjustment: turn the lever
- 2- Tilting intensity: turn the knob
- 3- Turn the ring for lock/unlock the seat and backrest tilt

LUMBAR SUPPORT

Adjustable lumbar support



ARMS

Chromed aluminum arms and chromed steel support



Aluminium arms upholstered as the backrest and chromed steel support



Black painted aluminum arms and black painted steel support



Aluminium arms upholstered as the backrest and black painted steel support



2D arms, adjustable in height and in width, soft-touch top



4D arms, adjustable in height and in width, soft-touch top, pivoting left/right and adjustable in depth



BASES

5 star black nylon base, ø 680 mm



5 star die-cast aluminium base, polished, ø 700 mm



5 star die-cast aluminium base, black finish, ø 700 mm



CASTERS



Black self braking casters ø 50 mm



Black free casters ø 50 mm, for soft floor



Black self-braking rubber casters ø 50 mm for hard floors



Black self-braking casters, ø 65 mm for soft floors



Black self-braking rubber casters ø 65 mm for hard floors



Hollow free rubber casters ø 65 mm for hard floors, black structure



Hollow free rubber casters ø 65 mm for hard floors, chromed structure

BACKREST WITH GEOMETRICAL PATTERN



Fabric
BN
12 colours



Fabric
AB Xtreme Plus
19 colours



Fabric
ME
21 colours



Fabric
IP
19 colours



Fabric
FE
24 colours



Ecological leather
N
13 colours



Ecological leather
CI
26 colours



Leather S +
Ecological leather N
13 colours



Leather
TS
18 colours

BACKREST WITH HORIZONTAL STITCHING



Fabric
BN
12 colours



Fabric
AB Xtreme Plus
19 colours



Fabric
ME
21 colours



Fabric
IP
19 colours



Fabric
FE
24 colours



Ecological leather
N
13 colours



Ecological leather
CI
26 colours



Leather S +
Ecological leather N
13 colours



Leather
TS
18 colours

* Please refer to the Price list in force and to the General sale conditions for the colours and the combinations available for every single product. Colours shown are used for reference only and may look different in reality. Please contact SitLand to receive more information.

WARRANTY



Butterfly has 5 years warranty. For any further detail, please contact SitLand's customer service at service@sitland.com

PCON.PLANNER



It will be possible to configurate our model Butterfly by using pCon.planner program for the design of 2D an 3D environment.

pCon.planner allows to design working solutions in a fast and intuitive way, creating "realistic" images with advanced features, with a considerable saving of time and resources.

It is easy to start using pCon.planner: after downloading the software in the proper page, it is possible to download pCon.catalog, the practical online catalogue of products ready to be set up according to anyone's need, and then include the products in the projects.

For more information on the use of pCon.planner and the access to the products of the SitLand's catalogues, please contact com@sitland.com

SitLand®

SitLand S.p.A.
Via Cà Silvestre, 52
36024 Nanto - Vicenza - Italy
info@sitland.com - www.sitland.com
Tel. +39 0444 637100



SitLand S.p.A. is certified
UNI EN ISO 9001: 2008
UNI EN ISO 14001: 2004

Follow us on:

