

OF COURSE

design
DORIGO DESIGN



SitLand®

THE COMFORT CLASSIC PAR EXCELLENCE

**Of Course is the classic chair
where comfort is the essence.**

**Designed with particular attention to
ergonomics, it is the solution for those
who desire timeless elegance.**



THE SHAPE OF COMFORT

Of Course seat and back are shaped with utmost attention to ergonomics. The seat and back pad is in polyurethane foam, crushproof, with particular focus on the headrest.

COMFORTABLE AND STURDY

In addition to be comfortable, Of Course is also sturdy thanks to the back inner structure in steel, which integrates the armrests, and elastic belts to grant the best comfort and to last in time.

THE MECHANICS OF COMFORT

Of Course features a synchro mechanism for adjusting the seat and back angle, lockable in 5 positions and anti-panic system. The tilt tension can be adjusted by a practical side handle, according to the user's weight.

TIMELESS ELEGANCE

Of Course collection is characterised by the valuable upholsteries available in a wide range of colours. Handicraft stitching define the seat profile.

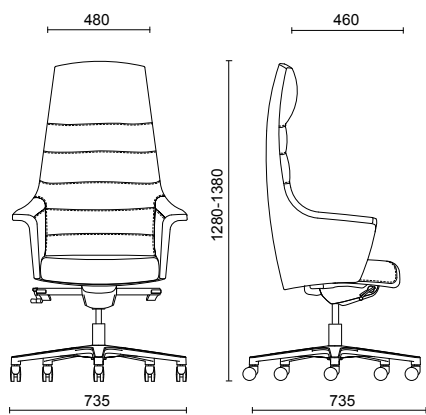
MANY NEEDS ONE COLLECTION

Of Course collection features executive, manager and meeting models with casters or gliders, and the elegant sled-frame.

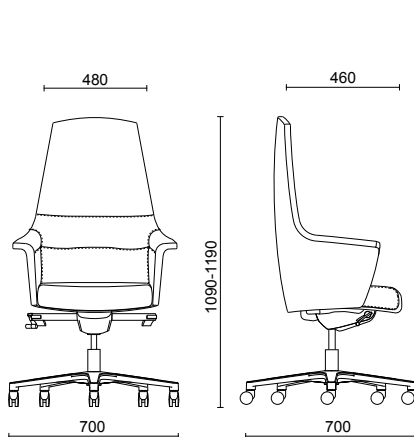
A series of seats that matched to each other confer a touch of style to different spaces and satisfy different needs of use: from executive offices to waiting rooms, up to meeting rooms.

Different types of upholsteries, bases and casters offer the possibility to choose the most suitable version for your needs.

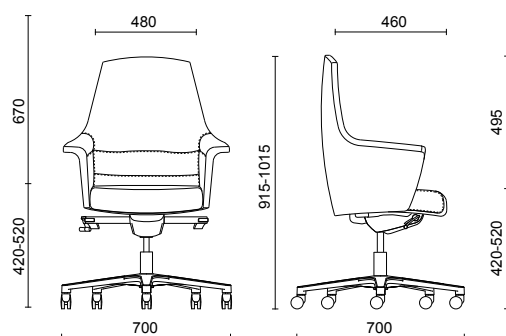
DIMENSIONS AND MODELS



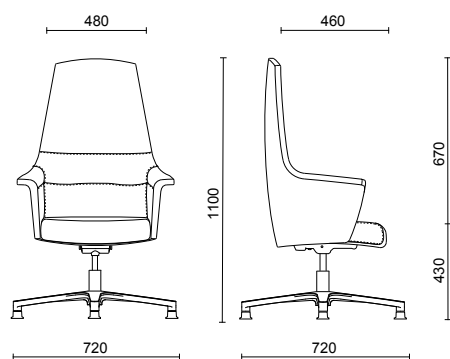
Executive



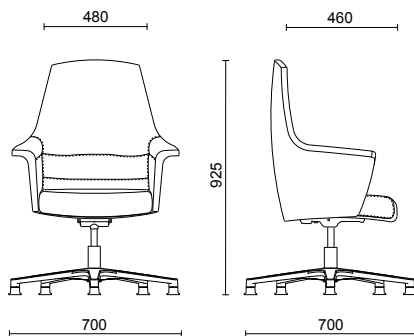
Manager high-back



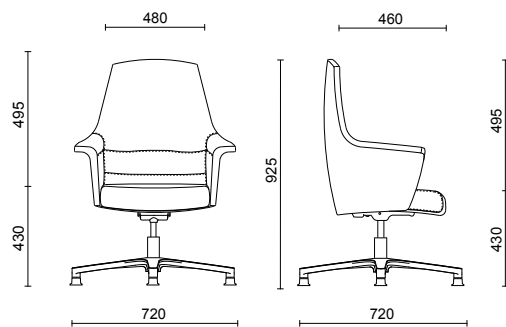
Manager medium-back



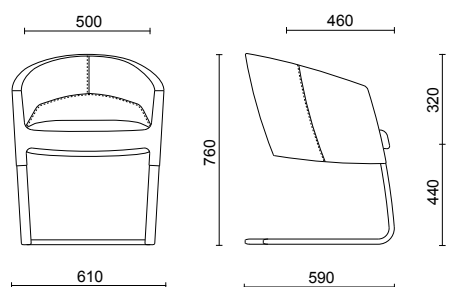
Meeting with high-back



Meeting medium back only swivelling



Meeting medium back



Visitor on sled frame

MECHANISM

	EXECUTIVE	MANAGER	MEETING
Synchro mechanism, lockable in 5 positions, with anti-shock system. The synchro mechanism allows the adjustment of the seat and back angle; the tilting tension of the back can be adjusted by a side handle, according to the user's weight.	<input type="checkbox"/>	<input type="checkbox"/>	
Seat height adjustment gas lift.	<input type="checkbox"/>	<input type="checkbox"/>	<input type="checkbox"/>
Fixed chair, swivelling, with memory return function.			<input type="checkbox"/>

BASES



5 star die-cast aluminium base, polished and chromed, ø 735 mm.



5 star die-cast aluminium base with aluminium paint finish with double coat matt transparent and anti-scratch treatment, ø 735 mm.



5 star die-cast aluminium base, polished, ø 735 mm.



5 star die-cast aluminium base, polished and chromed, ø 700 mm.



5-star die-cast aluminium Ø 700 mm base, polished, ø 700 mm.



5 star die-cast aluminium base, aluminium paint finish with double coat matt transparent and anti-scratch treatment, ø 700 mm.



4 star die-cast aluminium base Ø 735 mm with aluminium paint finish with double coat matt transparent and anti-scratch treatment, ø 720 mm.



4-star die-cast aluminium base, polished and chromed, ø 720 mm.



4 star die-cast aluminium base, polished, ø 720 mm.

CASTERS



Free casters, Ø 65 mm for soft floors.



Self-braking casters, ø 65 mm for soft floors.



Self-braking rubber casters, ø 65 mm for hard floors.



Hollow free and rubber casters, ø 65 mm for hard floors, black structure.



Hollow free and rubber casters, ø 65 mm for hard floors, chromed structure.

COLOURS AND MATERIALS *



Fabric
FE
21 colours



Ecological
leather CI-CX
26 colours



Leather
TS
18 colours



Leather
S
13 colours



Leather
MS
12 colours



Leather
S
13 colours

+



Leather
N
13 colours

* Please refer to the Price list in force and to the General sale conditions for the colours and the combinations available for every single product. Colours shown are used for reference only and may look different in reality. Please contact SitLand to receive more information.

PCON.PLANNER



It is possible to configure our model Of Course by using pCon.planner program for the design of 2D an 3D environment.

pCon.planner allows to design working solutions in a fast and intuitive way, creating "realistic" images with advanced features, with a considerable saving of time and resources.

It is easy to start using pCon.planner: after downloading the software in the proper page, it is possible to download pCon.catalog, the practical online catalogue of products ready to be set up according to anyone's need, and then include the products in the projects.

For more information on the use of pCon.planner and the access to the products of the SitLand's catalogues, please contact com@sitland.com

WARRANTY



Of Course has 5 years warranty. For any further detail, please contact SitLand's customer service at service@sitland.com

MORE INFORMATIONS

Please look through our catalogue to see all the different versions available of Of Course

http://www.sitland.com/sitland_catalogues/sitland_general_catalogue/sitland_general_catalogue.html#p=46

or see our Of Course page into our web site www.sitland.com

CERTIFICATION D.Lgs. 81/2008

Of Course comply with the Italian norm
D.Lgs. 81/2008.

UNI EN 1335 CERTIFICATION

Of Course comply with the norm
UNI EN 1335-3

The work conditions and the protection of the people at work, as far as safety and health are concerned, provide that "the office chairs" are produced according to the ergonomic principles and the functionality requirements contained in the following norms:

- UNI EN 1335-1, dimensions and definitions of the dimensions;
 - UNI EN 1335-2, safety requirements
 - UNI EN 1335-3, test procedures for the safety
- The chairs are classified in three different classes according to their specific performance and dimensional characteristics:
- Class A considers the more restrictive dimensional requirements and mostly respect the anthropometric dimensions from 5 to 95% of the population.
 - Class B considers the middle requirements among the classes, respecting the minimum requirements requested by D.Lgs. 81/2008.
 - Class C considers the minimum requirements.

The tests performed are:

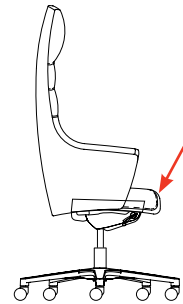


on the Of Course executive with 5 star die-cast aluminium base.

STATIC LOAD ON THE FRONT OF THE SEAT

Load: 1.600 N

Number of cycles: 10

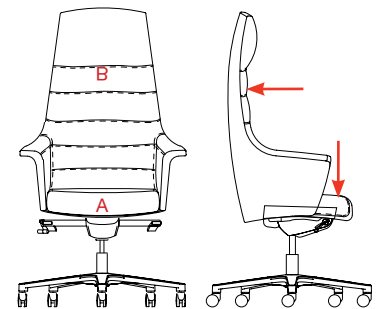


SEAT AND BACK STATIC LOAD TEST

Loading point A: 1.600 N

Loading point B: 560 N

Number of cycles: 10



DURABILITY TESTS ON THE SEAT AND BACK

Loading point A: 1.500 N

Number of cycles: 120.000

Loading point C - B: 1.200 N - 320 N -

Number of cycles: 80.000

Loading point J - E: 1.200 N - 320 N -

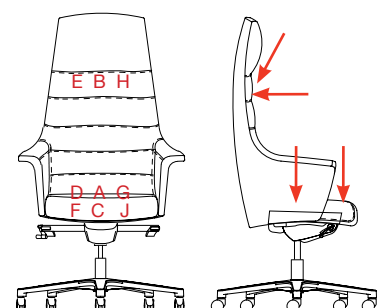
Number of cycles: 20.000

Loading point F - H: 1.200 N - 320 N -

Number of cycles: 20.000

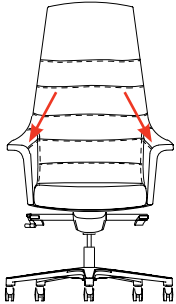
Loading point D - G: 1.100 N - 1.100 N -

Number of cycles: 20.000



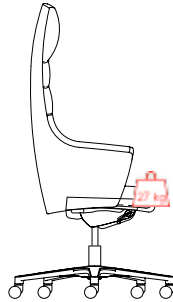
DURABILITY TESTS OF THE ARMREST

Application point compared to the most forward point of the armrest: 100 mm
 Load: 400 N
 Number of cycles: 60.000



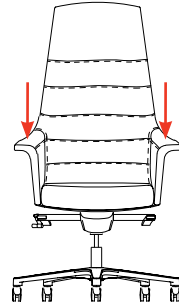
STABILITY TESTS FRONT TILTING

Load: 27 kg
 Applied in the furthest point of the seat from the rotation axis



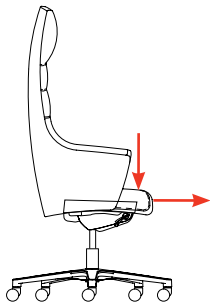
VERTICAL STATIC LOAD AT THE CENTRE OF THE ARM

Application point: centre
 Load: 900 N
 Number of cycles: 5



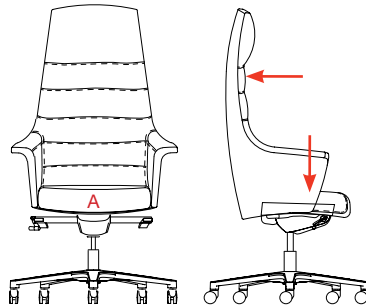
STABILITY TESTS TILT TOWARD THE FRONT

Vertical force: 600 N
 Application point compared to the front edge of the seat: 60 mm
 Load: 20 N
 Loading time: 5 sec



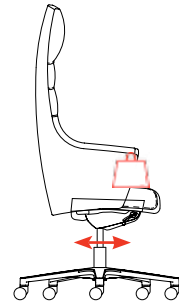
STABILITY TESTS FOR SWIVELING CHAIRS TILT TOWARD THE BACK FOR CHAIRS WITH FIXED BACK

Vertical force in A: 600 N
 Load in B: 192 N
 Application point: A



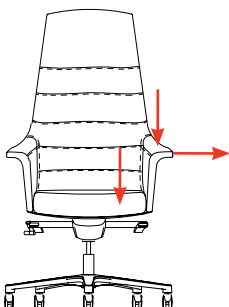
RESISTANCE TO ROLLING OF THE SEAT WITH NO LOAD

Test speed: 50 mm/s
 Measured resistance 18,6 N
 Minimum allowed resistance: 12 N



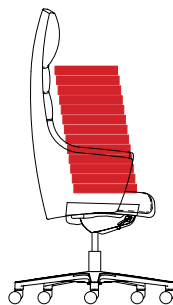
STABILITY TESTS LATERAL TILTING FOR SEATS WITH ARMRESTS

Seat vertical force: 250 N
 Armrest vertical force: 350 N
 Armrest lateral force: 20 N



STABILITY TESTS BACK TILTING FOR SEATS WITH TILTING BACK

Number of discs: 13



SitLand®

SitLand S.p.A.
Via Cà Silvestre, 52
36024 Nanto - Vicenza - Italy
info@sitland.com - www.sitland.com
Tel. +39 0444 637100



SitLand S.p.A. is certified
UNI EN ISO 9001: 2008
UNI EN ISO 14001: 2004

Follow us on:

