

SPIRIT AIR

design
BALDANZI&NOVELLI



SitLand®

HIGH PERFORMANCE ERGONOMICS

Spirit Air is the collection designed to ensure utmost ergonomics. Modern design combined to cutting-edge technology to satisfy any use and ensure the best performances.



THE MECHANICS OF COMFORT

Spirit Air features a dynamic synchro mechanism for adjusting the seat (up to 4°) and back angle, lockable in 11 positions with anti-shock system. The tilt tension can be adjusted by a practical side handle, according to the user's weight.

ASSISTED MOVEMENTS

Spirit Air seat moves in tune with its user. Adjustable depth up to 50 mm of travel, lockable in the desired position, Spirit seat can also adapt to the user's movements with the option "free", activated with the second position of the lever.

FREEDOM

Spirit Air was designed as an actual instrument to work in total freedom, ensuring utmost comfort. For this reason, "Freedom" was patented, a particular mechanism which allows perfect adherence of the back to the user's movements. This dynamic system consists of a thermoplastic rubber joint introduced inside a shell made in auxiliary resin that, working in constant torsion, naturally and precisely adapts to the body's rotation towards the right or left.

COMFORTABLE AND BREATHABLE

Spirit Air seat features an ergonomic pad in flexible polyurethane, crushproof. The back in mesh is equipped with lumbar support with adjustable height to ensure proper posture.

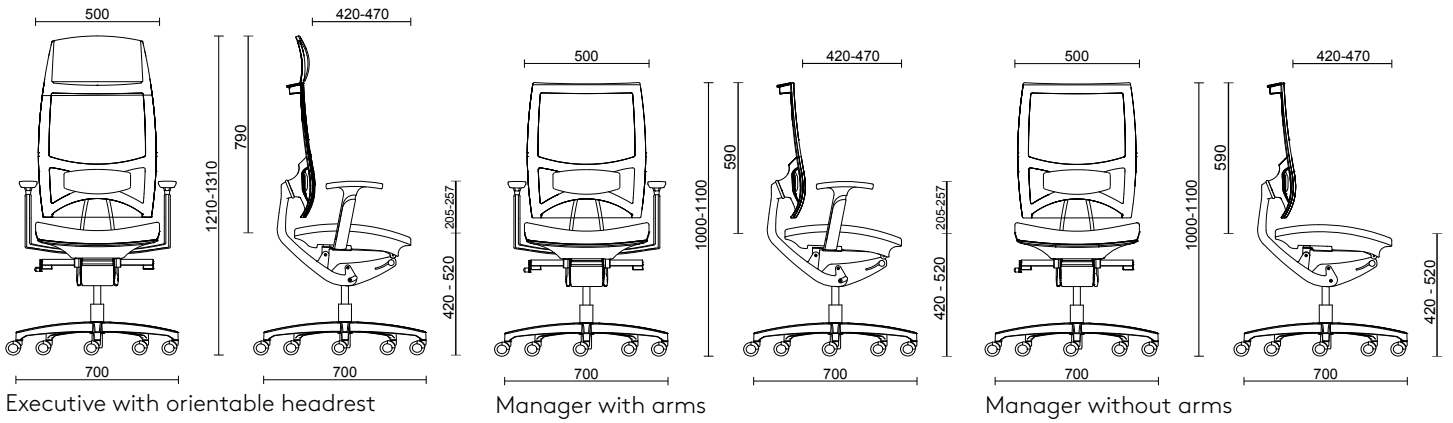
SIMPLY ELEGANT

Thanks to its linear and elegant shape and the wide range of upholsteries and finishes available in different colours, Spirit is also ideal for more complex spaces. Spirit Air is available in the classic version with shiny upholstery and in the trendier version with black finishes.

AN ERGONOMIC COLLECTION

From the executive model with adjustable headrest to the manager and meeting versions: Spirit Air collection offers a wide range of products. Different types of armrests, bases and casters offer the possibility to choose the most suitable version for your needs.

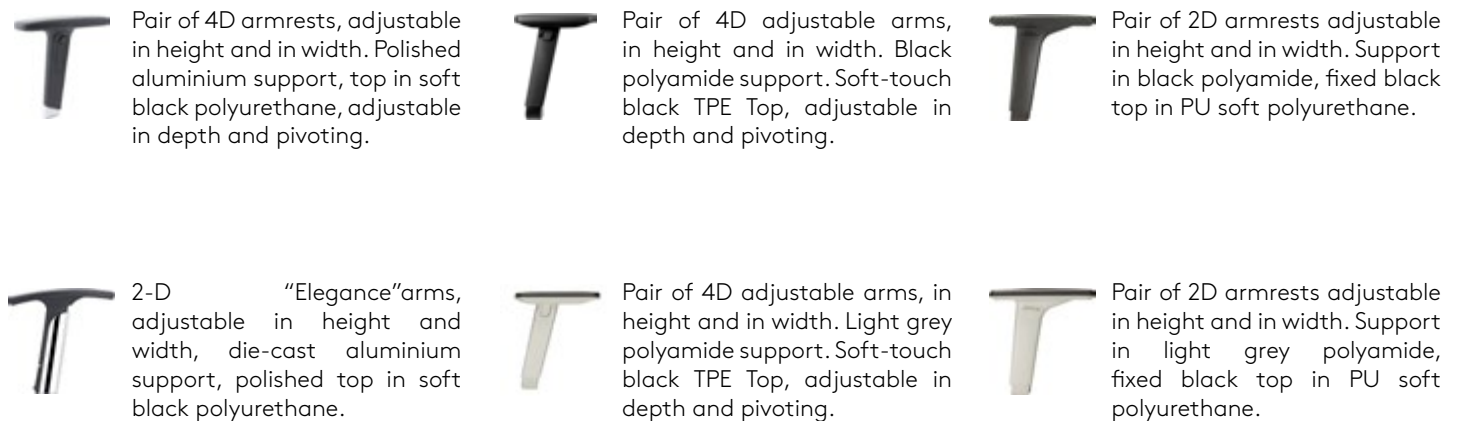
MODELS AND DIMENSIONS



MECHANISM

	EXECUTIVE	MANAGER	MEETING
Synchro dynamic mechanism, lockable in 11 positions, with anti-shock function. The synchro mechanism allows the adjustment of the seat and back angle; the tilt tension of the back can be adjusted by a side handle, according to the user's weight.	<input type="checkbox"/>	<input type="checkbox"/>	
Synchro dynamic mechanism, lockable in 11 positions, with anti-shock function. The synchro mechanism allows the adjustment of the seat and back angle; the tilt tension of the back can be adjusted by a side handle, according to the user's weight. Seat angle adjustable, negative inclination (4°) with lever on the rear part of the seat.	<input type="checkbox"/>	<input type="checkbox"/>	
Fixed seat, not adjustable in height, memory return system.			<input type="checkbox"/>
Seat height adjustment gas lift.	<input type="checkbox"/>	<input type="checkbox"/>	<input type="checkbox"/>

ARMS



BASES



High resistance 5-star base in black nylon with strengthening steel ring, ø 700 mm.



High resistance 5-star base in light grey (Ral 7035) nylon with strengthening steel ring, ø 700 mm.



5-star die-cast aluminium Ø 700 mm base, polished, ø 700 mm.



Base in die-cast aluminium, aluminium painted with double coat anti-scratch treatment, ø 700 mm.



4 star die-cast aluminium base, 720 mm, polished, ø 760 mm.

CASTERS



Free casters, ø 65 mm for soft floors.



Self-braking casters, ø 65 mm.



Self-braking rubber casters, ø 65 mm for hard floors.



Hollow free and rubber casters, ø 65 mm for hard floors, black structure.



Hollow free and rubber casters, ø 65 mm for hard floors, chromed structure.

COLOURS, MATERIALS, FINISHING *

PLASTIC FINISHING



Black
colour



Light grey
RAL 7035



Polished

BACK SUPPORT FINISHING



Aluminium
black
colour



Aluminium
painted
light gray
RAL 7035



Polished
aluminium

HEADREST SUPPORT FINISHING



Black
polypropylene

BACK UPHOLSTERY



Mesh
RP
9 colours



Mesh
RR
11 colours

SEAT UPHOLSTERY



Ecological
leather N
13 colours



Fabric
AB Xtreme Plus
19 colours



Fabric
RA
15 colours



Fabric
ME
21 colours



Fabric
IP
19 colours



Fabric
FE
21 colours



Fabric
FA
12 colours



Faux-leather
fabric CI-CX
26 colours



Faux-leather
fabric IK
13 colours



Leather
S
13 colours



Leather
TS
18 colours

* Please refer to the Price list in force and to the General sale conditions for the colours and the combinations available for every single product. Colours shown are used for reference only and may look different in reality. Please contact SitLand to receive more information.

GREENGUARD CERTIFICATION



Spirit Air has achieved GREENGUARD Certification and GREENGUARD GOLD Certification.

GREENGUARD e GREENGUARD Gold are products' certifications released after accurate laboratory tests which assure a low level of chemical emissions of the GREENGUARD tested products in the inner environments. As a matter of fact, in the inner environments, the air is 2 - 5 times more polluted than on the outside and the pollutants comes from products and materials that we use every day. Therefore, the quality of air in the inner spaces is an important issue when people pass the most part of their time in inner environments.

The products certified GREENGUARD ensure a low level of chemical emissions, therefore a better quality of air in those places where they are used. Those chairs which obtained the GREENGUARD Gold certification grant the total absence of chemical emissions, then they are the safest choice for public spaces like schools and healthcare setting. The products certified GREENGUARD contribute to create Leed buildings.

For more information on GREENGUARD, visit the official web site ul.com/gg.

D.Lgs. 81/2008

Spirit Air comply with the italian norm D.Lgs. 81/2008.

PCON.PLANNER



It is possible to configurate our model Spirit Air by using pCon.planner program for the design of 2D an 3D environment.

pCon.planner allows to design working solutions in a fast and intuitive way, creating "realistic" images with advanced features, with a considerable saving of time and resources.

It is easy to start using pCon.planner: after downloading the software in the proper page, it is possible to download pCon.catalog, the practical online catalogue of products ready to be set up according to anyone's need, and then include the products in the projects.

For more information on the use of pCon.planner and the access to the products of the SitLand's catalogues, please contact com@sitland.com

MORE INFORMATION

Please look through our catalogue to see all the different versions available of Spirit Air

http://www.sitland.com/sitland_catalogues/sitland_general_catalogue/sitland_general_catalogue.html#p=62

or see our Spirit Air page into our web site www.sitland.com

WARRANTY



Spirit Air has 5 years warranty. For any further detail, please contact SitLand's customer service at service@sitland.com

SitLand®

SitLand S.p.A.
Via Cà Silvestre, 52
36024 Nanto - Vicenza
info@sitland.com - www.sitland.com
Tel. +39 0444 637100



SitLand S.p.A. is certified
UNI EN ISO 9001: 2008
UNI EN ISO 14001: 2004

Follow us on:

