

concept
wiesner hager



f.t.s. folding table

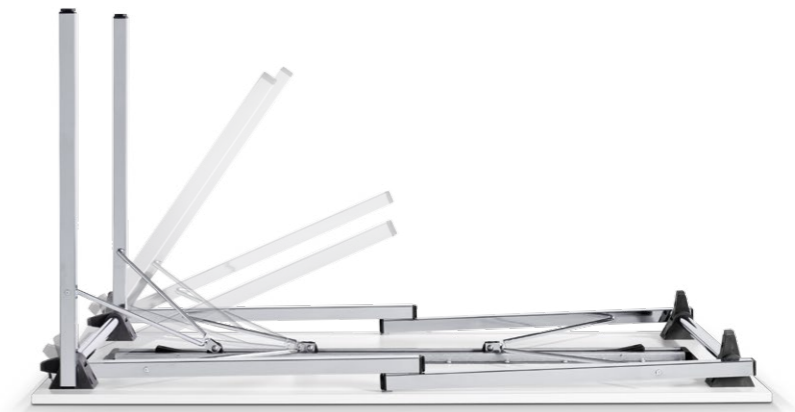
Works perfectly.

f.t.s. folding tables are impressively functional, robust and mobile. They have the right frame for every purpose. T-leg tables are ideal for setting up rows of tables, and four-leg tables are particularly suitable for setting up free-standing groups of tables due to the ample legroom on all sides. With 4-leg tables, you also have a choice of a round or square leg profile, in keeping with the interior design. With a wide range of table sizes available, a customised solution can always be found – whether for a hotel seminar, a multi-purpose hall or conference and communication centres.

Works consistently.



f.t.s. folding tables vary in design and presentation. With the choice of T-leg or four-leg design, which can be specified depending on the purpose, the tops come in a variety of sizes ranging from 45/120 to 80/180 cm. You can select from four, contemporary standard laminate or HPL finishes to the table top, with powder-coated or chrome options for the frames.



The folding mechanism works in the same way for both T-leg and four-leg tables. There are no controls to unfold the tables, which lock in place automatically. Pressing a button releases the locking device, ready for folding. Sturdy plastic pads protect the surface of the table and prevent it being damaged when the tables are stacked. There are special trolleys to carry the stacked tables efficiently.

Rich in detail.

Optional.



Folding table T-leg base



Folding table 4-leg base, round feet



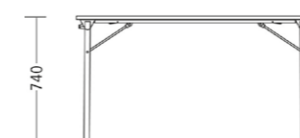
Folding table 4-leg base, square feet

	1200	1300	1400	1600	1800
450					
600					
700					
800					

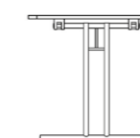
Folding table T-leg base

	1200	1300	1400	1600	1800
700					
800					

Folding table 4-leg base



Height of tables



Folding table T-leg base



Folding table 4-leg base

Dimensions in mm.

Secure functionality.

The folding mechanism locks securely in position. This ensures that the *ft.s.* tables are stable and prevents the frame folding inadvertently.



Space-saving stacking.

A stack of 10 tables is 125 cm high. Suitable transportation is available for carrying the stacked tables.



Standard model:

Table top:

choice of laminate (MFC) or HPL top with seamless, moisture resistant laser edge (ABS edge). Board reinforced by metal bar.

Frame:

precision tubular steel frame, plastic glides. Leg connection with integrated stacking protection of black plastic. Available as four-leg base or as T-leg base. Leg cross section: 4-leg base either round Ø 32 mm or square 30/30 mm, T-leg base upright tube Ø 28 mm, legs Ø 32 mm.

Folding mechanism: folding fittings with locking device, black plastic parts. Powder-coated metal surfaces.

Perfect Partners.



sign_2



outline



nooi

A-4950 Altheim
Linzer Strasse 22
T +43 (7723) 460-0
altheim@wiesner-hager.com

D-97080 Würzburg
Schürerstrasse 3
T +49 (931) 3 55 85-0
F +49 (931) 3 55 85 85
wuerzburg@wiesner-hager.com

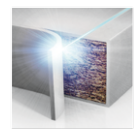
NL-6101 XB Echt
Nobelweg 17
T +31 (475) 41 02 22
benelux@wiesner-hager.com

F-67201 Eckbolsheim
13, rue Ettore Bugatti
T +33 (3) 88 59 90 90
F +33 (3) 88 59 90 89
france@wiesner-hager.com

UK: Wiesner-Hager Ltd.
Fourth Floor
104-110 Goswell Road
London
EC1V 7DH
T +44 (20) 7490 3627
london@wiesner-hager.com

CZ-150 00 Praha 5
Drtinova 557/10
T +420 271 730 444
praha@wiesner-hager.com

Certified acc. to:
ISO 9001, ISO 14001
and ISO 14025



LASERKANTE
LASER EDGE

Directly to your mobile phone!
The hardest quality check
of all time: Try Hard 2.0

