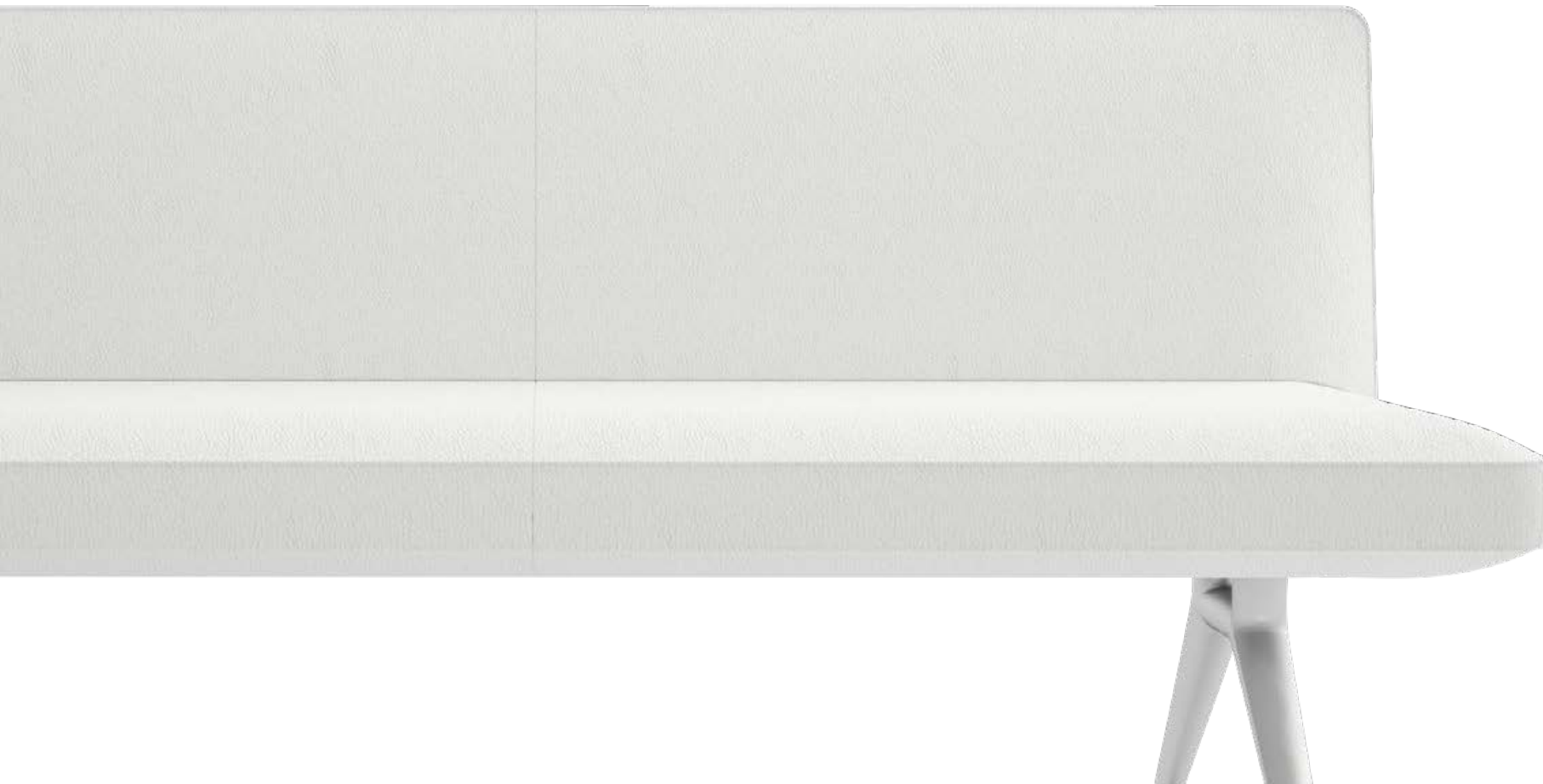


Wilkhahn

Insit. 780 range.





Insit

Insit transforms the classic upholstered bench with backrest into a multipurpose higher seating option for offices, co-working, meeting and dining spaces.

At 45 cm seating height and with ergonomic and firm upholstery, this option provides supportive comfort and opportunities for use across generations. The characteristic upright backrests and elegant A-line feet lend the furniture a prestigious and lightweight look. The range is available as two-, two-and-a-half and three-seaters, which come with backrests that are linear, on one or both sides or at an angle for people to sit in opposite directions.

Models with high backrests for more privacy and a coordinating table range round off the range. Due to its freely combinable, integrative design language, the seating resembles a distinctive sculpture that can be designed and adapted in all sorts of ways. The highpoint of any occasion.

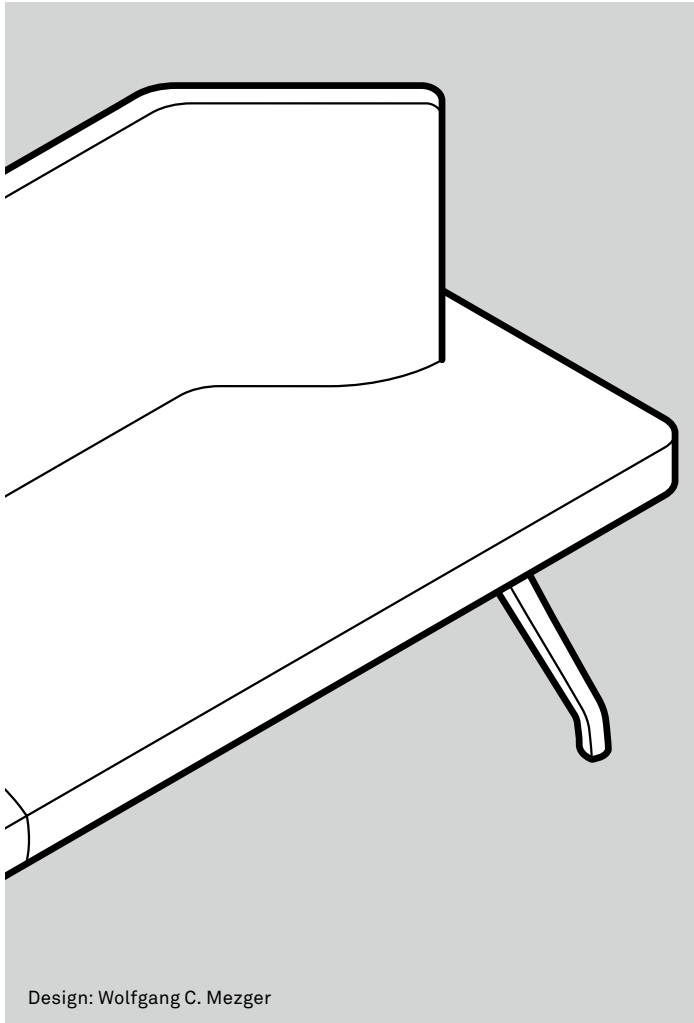






Insit. 780 range. Technical details.

Wilkhahn



Design: Wolfgang C. Mezger

Upholstered benches with and without backrests

Function

Multipurpose upholstered benches with and without backrests with coordinating tables for customer service areas, foyers, lobbies, waiting spaces, areas in the middle of rooms, cross-over spaces, co-working spaces and canteens.

When sitting vertically at a seating height of 45 cm, people can work, communicate, eat and drink at normal table heights and chairs can be added. The integrative design turns each Insit into an individually scaleable attractive sculpture. By using connectors and side tables, the elements create a versatile system that can be linked to form complex configurations.

The range of two-, two-and-a-half and three-seaters includes benches that are straight sloping or linked at 90-degree angles at the corners and that come with linear backrests or ones bent on one or both sides or that change direction, as well as benches without backrests that can be used on both sides.

Frame

Polished or high-lustre polished die-cast aluminium A-line base frame or coated white, black or with a silver satin finish. Table top bearer to connect the seat made of black coated sheet steel. Black polyamide glides as the standard version for carpets; optionally with felt insert for hard flooring.

Seat and backrest

Wooden frame design with integrated panel made of beech, upholstered all the way round with contour-cut foam, seat cushioning made of cold foam with a fleece overlay, fully covered in fabric or leather.

Backrest: Wooden frame design made of beech, upholstered with contour-cut foam all the way round, back cushioning made of contour-cut foam, fully covered with fabric or leather, depending on the model linear, sloping or bent on one or both sides or with a change of direction, optional with a 30 cm higher backrest (only in linear models). Benches without backrests (models 782/6 and 783/6).

Inline connectors

Inline connector, model 780, for secure bench-to-bench linkage, made of sheet steel, coated black, with four black screws.

Tables

Frame

Models 780/1, 780/2, 780/3, 780/4, disc base made of steel, (diameter model 780/1, 780/2 and 780/4 Ø 51 cm, model 780/3 Ø 95 cm) with cover made of sheet steel coated white, black or in a silver satin finish or optionally brushed stainless steel or bright chrome-plated. Steel table column to match the disc base with cover coated white, black or in a silver satin finish or optionally brushed or bright chrome-plated stainless steel. Black-coated sheet steel table top bearer.

Model 780/9

Polished or high-lustre polished die-cast aluminium A-line base frame or coated white, black or with a silver satin finish. Table top bearer to connect the seat made of black coated sheet steel. Black polyamide glides as the standard version for carpets; optionally with felt insert for hard flooring.

Model 780/10 connecting table top with connection rods made of black coated flat steel, with four screws to connect the table and bench securely.

Model 780/11 Steel frame consisting of column and foot section, coated white, black or in a silver satin finish or optionally with a stainless steel look or bright chrome-plated. Black-coated sheet steel table top bearer. Black polyamide glides as the standard version for carpets; optionally with felt insert for hard flooring.

Insit. 780 range. Technical details.

Wilkhahn

Core material of table top

Plywood with straight wood or plastic lipping or MDF table top with chamfered lipping all the way round

Table top group 1 – laminate

Table top thickness 26 mm
Table height 74.5 cm

Type 1

Laminate (single colour) based on Wilkhahn's colour and surface samples with straight wood lipping or optionally bullnose (double) with impact-resilient profile (for an additional charge)
Laminate wood decor from Wilkhahn colour and surface samples with colour matched straight plastic lipping

Type 2

Soft matt laminate from the Wilkhahn colour and surface samples with straight wood lipping.
Anti-reflective, soft-touch surface with anti-fingerprint characteristics.

Table top group 2 – veneer

Table top thickness 26 mm
Table height 74.5 cm

Type 1

Beech, oak or ash veneer from Wilkhahn woodstain colour samples with straight or chamfered wood lipping (for an additional charge).

Type 2

Maple, walnut or elm veneer from Wilkhahn woodstain colour samples with straight or chamfered wood lipping (for an additional charge).

Table top group 7 – black/white through-dyed

Panel thickness 12 mm
Table height 73 cm
Table top made of through-dyed HPL (High Pressure Laminate) in black or white, chamfered lipping.

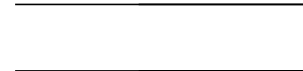
Standards

The upholstered benches with and upholstered benches without backrests comply with the DIN EN 16139-L1 standard.

Edge profiles



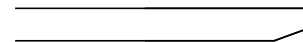
Straight plastic edging



Straight wood edging



E2 – 5 Chamfered wood edging, 12mm



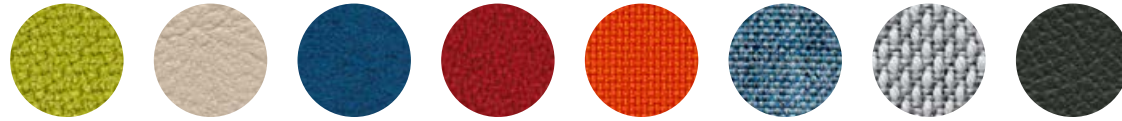
E5 – 1 HPL solid core, edge chamfered, 4 mm radius

Insit. 780 range. Product versions.

Wilkhahn



Upholstery material



54 | 58 | 60 | 63 | 66 | 68 | 91 | 74 | You can find all upholstery materials and more colours in our media center

The digital sample colours differ from the originals.

Insit. 780 range. Product versions.

Wilkhahn

Table top groups

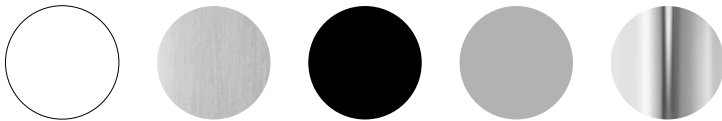


Laminate (single colour), Wood decor laminate, veneer type 1 or 2, HPL (high pressure laminate) black or white
you can find further surfaces in our media center.

Laminate. The material is made by bonding cellulose and décor paper layers, as well as resin, by applying heat and pressure. This produces an extremely tough surface that comes in a variety of different colours. Laminate is highly recommended for areas where the tables are subject to a lot of wear and tear because they are frequently moved around for example.

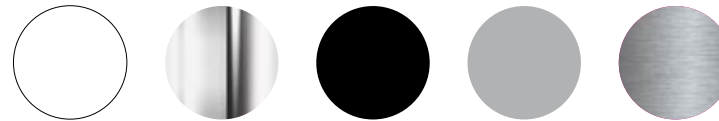
Wood veneers. Natural wood is a living material: in the way it looks and changes over the years. Sometimes more significantly and sometimes more subtly, depending on the type of wood and how light it is. If a more consistent look is preferred, stained surfaces or industrially produced veneer (e.g. mocha) are available.

Foot section



Coated white, polished aluminium, coated in black or with a silver satin finish, aluminium high-lustre polished

Disc base with cover and table column



Coated white, bright chrome-plated, coated in black or with a silver satin finish, Brushed stainless steel

Insit. 780 range. Edge shapes.

Wilkhahn

Edge profiles



Straight plastic edging; Straight wood edging; E2 – 5 Chamfered wood edging, 12mm;
E5 – 1 HPL solid core, edge chamfered, 4 mm radius

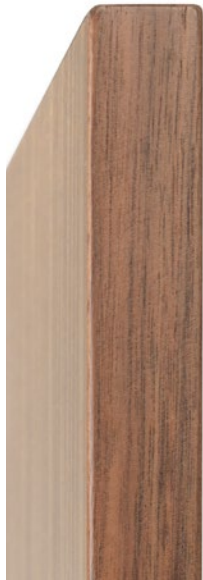
Straight plastic edge,
table top 26 mm thick

Straight wood edging
table top 26 mm thick

Chamfered wood edging, 12mm
table top 26 mm thick

edge chamfered, 4 mm radius
table top 12 mm thick

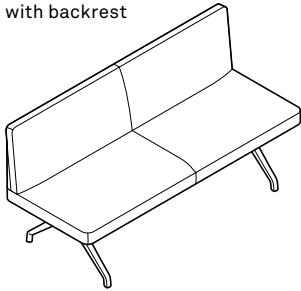
not illustrated



Insit. 780 range. Models and dimensions

Wilkhahn

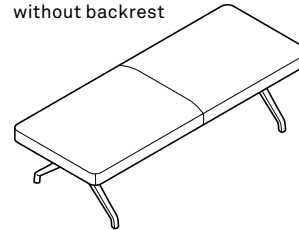
782/5
Upholstered bench
with backrest



■ 84/115 ■ 165 ■ 64
■ 45

2-seater
linear backrest
Coated aluminium foot section

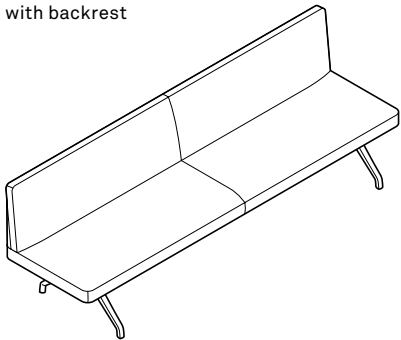
782/6
Bench
without backrest



■ 45 ■ 165 ■ 64

2-seater
Coated aluminium foot section

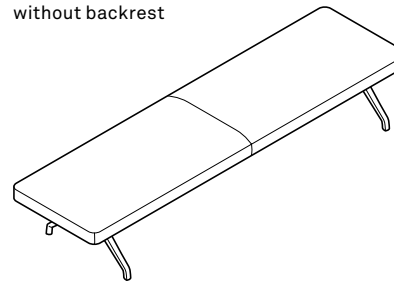
783/5
Upholstered bench
with backrest



■ 84/115 ■ 240 ■ 64
■ 45

3-seater
linear backrest
Coated aluminium foot section

783/6
Bench
without backrest



■ 45 ■ 240 ■ 64

3-seater
Coated aluminium foot section

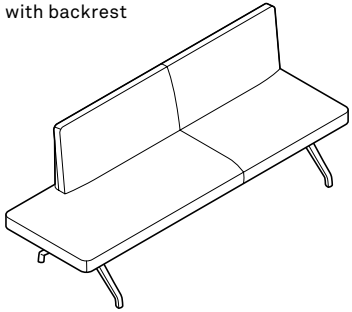
■ Total height
■ Total width
■ Total depth

■ Seating height
■ Seat width
■ Seat depth

Insit. 780 range. Models and dimensions

Wilkhahn

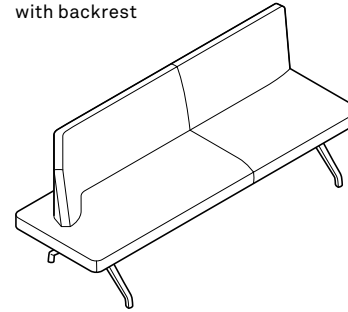
782/51
Upholstered bench
with backrest



■ 84/115 ■ 203 ■ 64
■ 45

2.5-seater
linear backrest with open ends on the right or left
Coated aluminium foot section

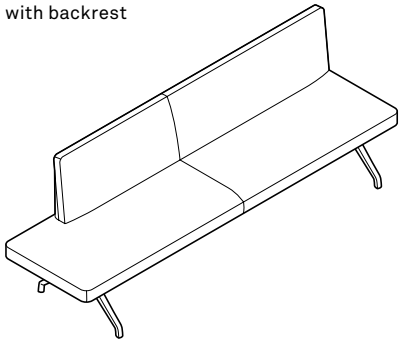
782/52
Upholstered bench
with backrest



■ 84 ■ 203 ■ 64
■ 45

2.5-seater
backrest bent to the right or left
Coated aluminium foot section

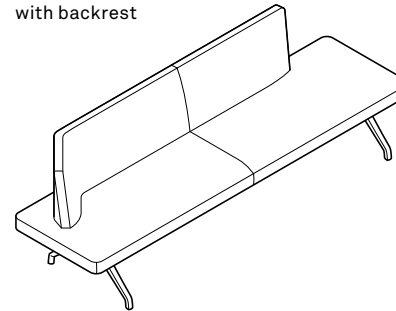
783/51
Upholstered bench
with backrest



■ 84/115 ■ 240 ■ 64
■ 45

3-seater
linear backrest with open ends on the right or left
Coated aluminium foot section

783/52
Upholstered bench
with backrest



■ 84 ■ 240 ■ 64
■ 45

3-seater
backrest bent to the right with open end on the left or
backrest bent to the left with open end on the right
Coated aluminium foot section

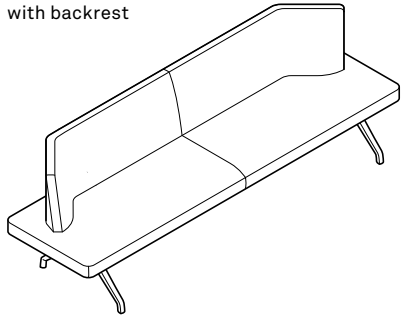
■ Total height
■ Total width
■ Total depth

■ Seating height
■ Seat width
■ Seat depth

Insit. 780 range. Models and dimensions

Wilkhahn

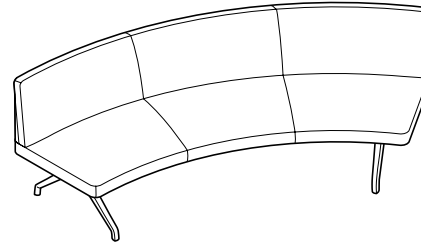
783/55
Upholstered bench
with backrest



84 240 64
45

3-seater
backrest bent to the right and left
Coated aluminium foot section

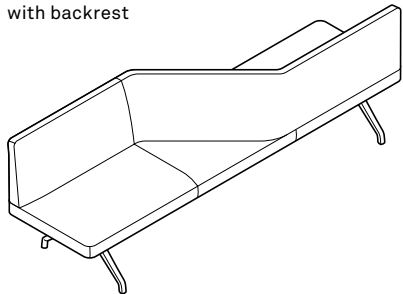
783/60
60° upholstered bench
with backrest



84 236 64
45

3-seater
60° sloping backrest
Coated aluminium foot section

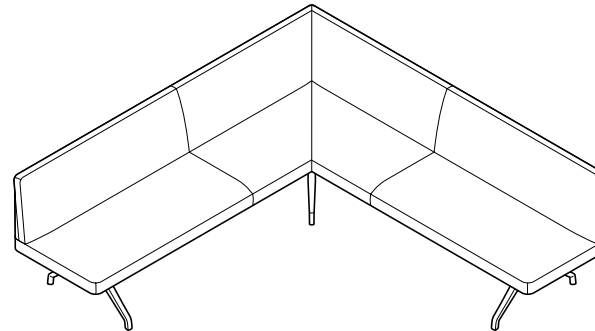
783/56
Upholstered bench
with backrest



84 240 64
45

2 x 1.5-seater
backrest that changes direction
Coated aluminium foot section

782/90
Corner element



84/115 229 229
45

2.5 x 2.5-seater
backrest at a 90° angle
Coated aluminium foot section

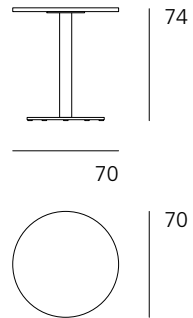
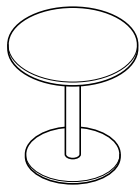
84 Total height
240 Total width
64 Total depth

45 Seating height
64 Seat width
45 Seat depth

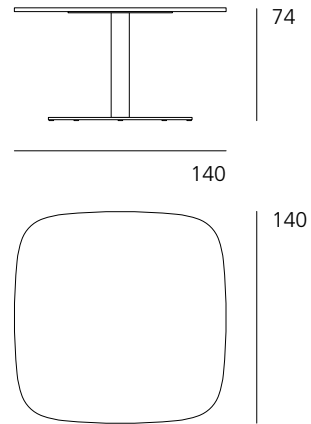
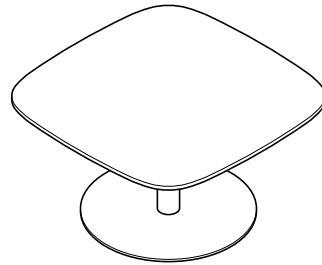
Insit. 780 range. Models and dimensions

Wilkhahn

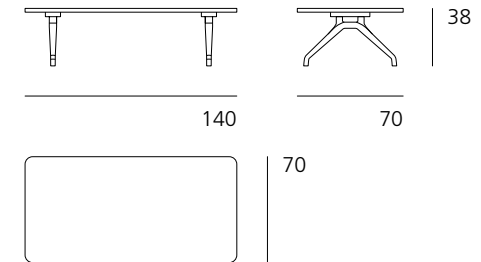
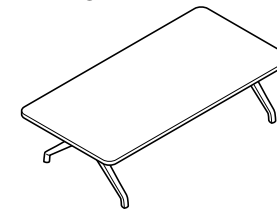
780/1
Round



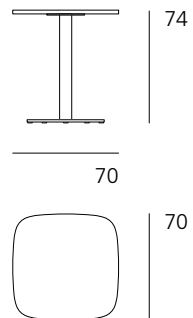
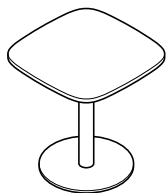
780/3
Square



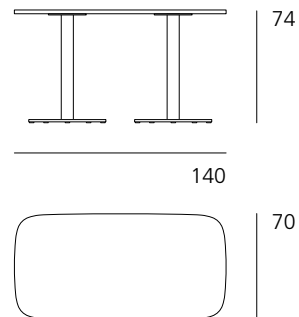
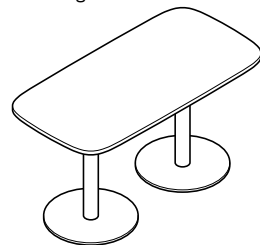
780/9
Rectangular



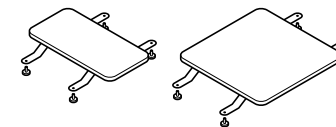
780/2
Square



780/4
Rectangular

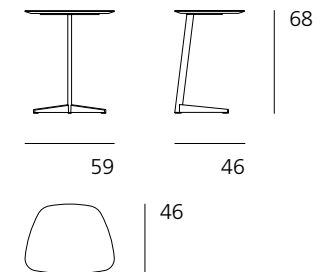


780/10
Connecting table



to connect two benches linearly with integrated inline connectors

780/11
Side table



Insit. 780 range. Awards / standards / certificates.

Wilkhahn

Product certificates / product standards

The upholstered benches with and upholstered benches without backrests comply with the DIN EN 16139-L1 standard.

Company's certificates, memberships



Mitglied der
DGNB
Deutsche Gesellschaft für Nachhaltiges Bauen
German Sustainable Building Council

